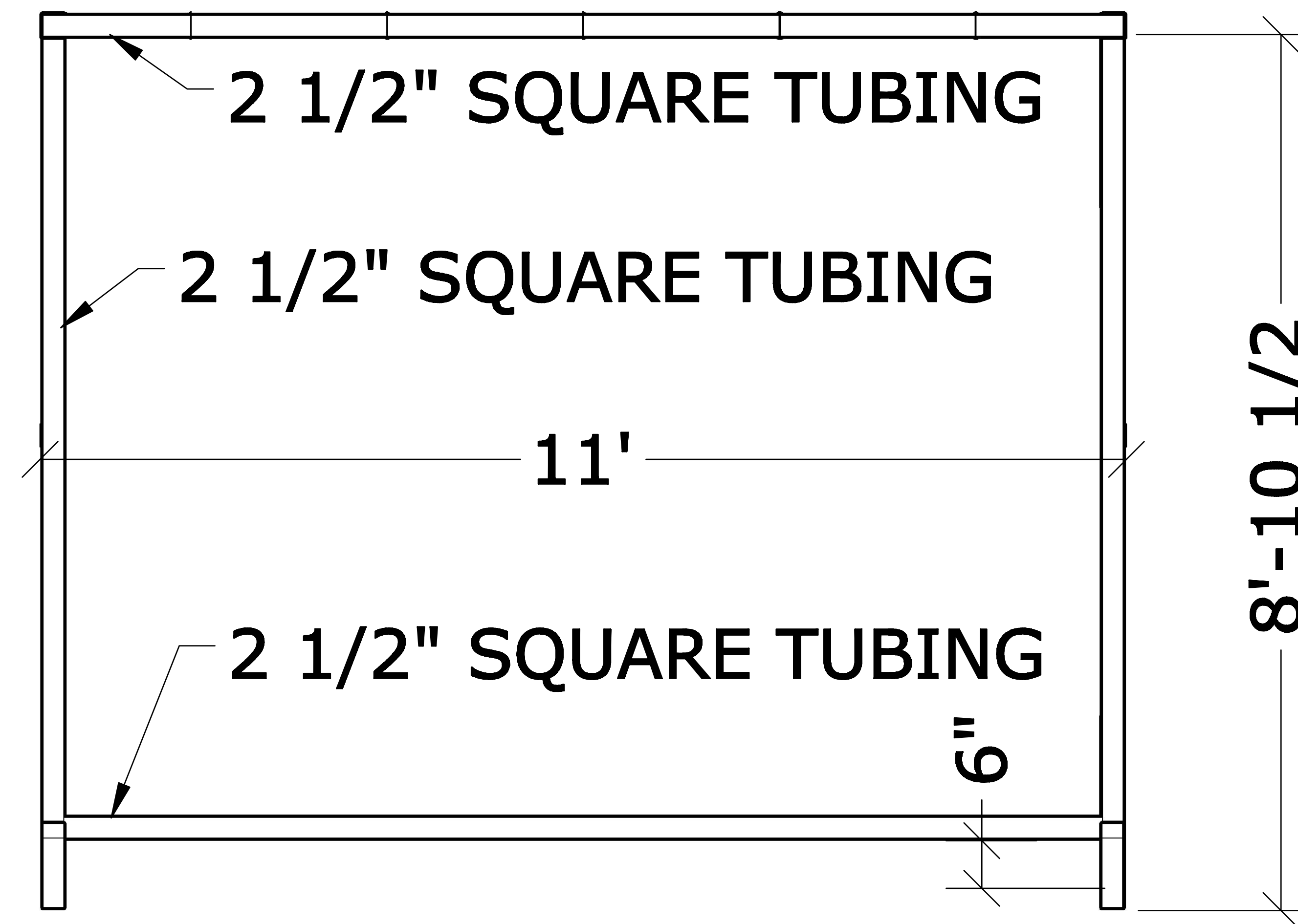


**NOTES:**

- 1. ALL FRAME MEMEBERS ARE SQUARE 2 1/2"X 2 1/2"X3/16" WALL STEEL TUBING**
- 2. ATTACH A 10'X23' 80% SHADE CLOTH TO FRAME.**



# **FRONT VIEW**

**SCALE: DO NOT SCALE**